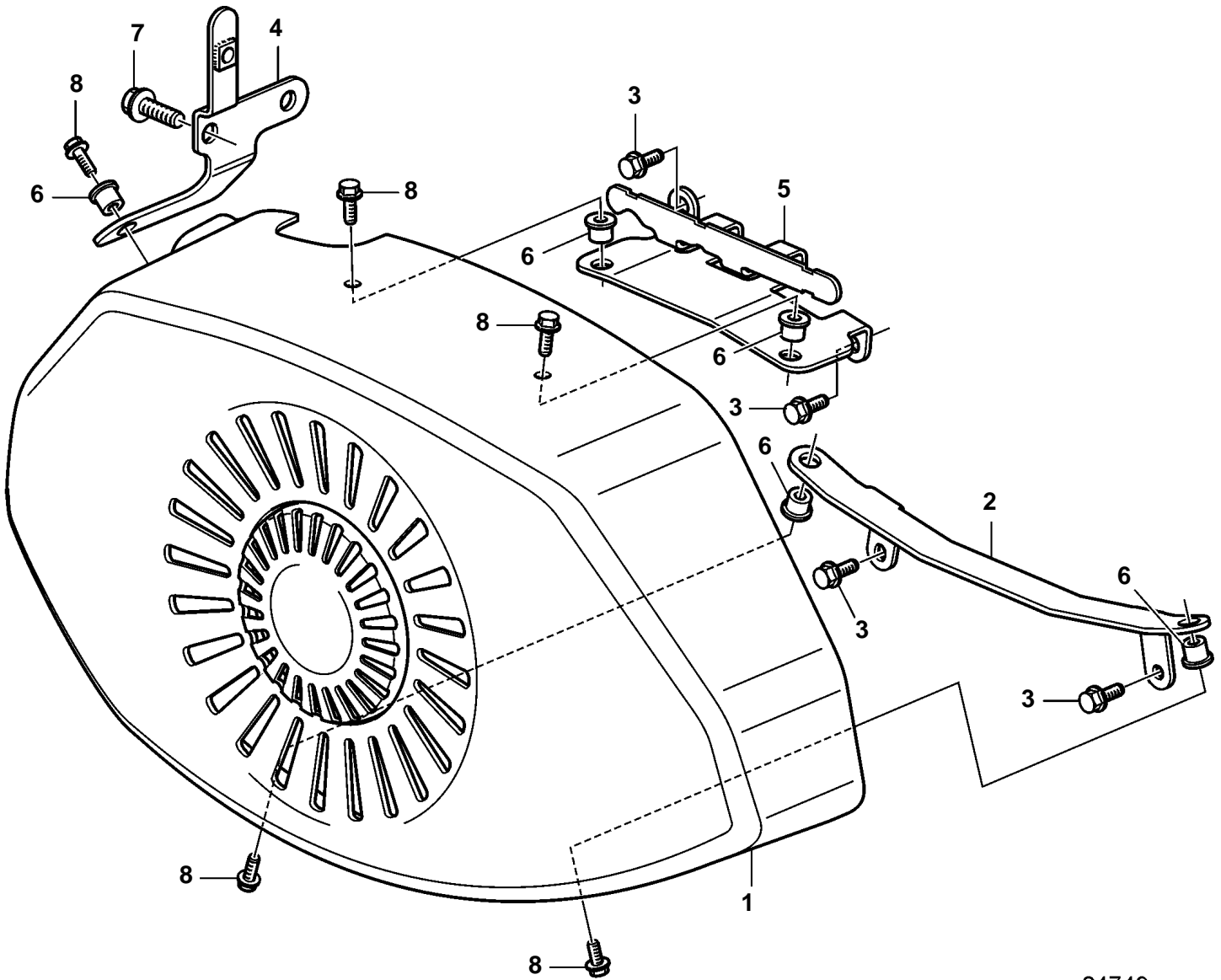


D16C-A MG



24749

D16C-A MG

REF	PART NO.	QTY	DESCRIPTION	NOTES
1	3841347	1	Belt protector	
2	3842487	1	Bracket	
3	946440	4	Flange screw	L=16mm
4	3883594	1	Bracket	
5	3842484	1	Bracket	
6	930762	5	Expanding nut	
7	946817	2	Flange screw	
8	946173	5	Flange screw	L=20mm